

Uni-9 Series

PC-BASED
SMART SCALE
SOLUTION

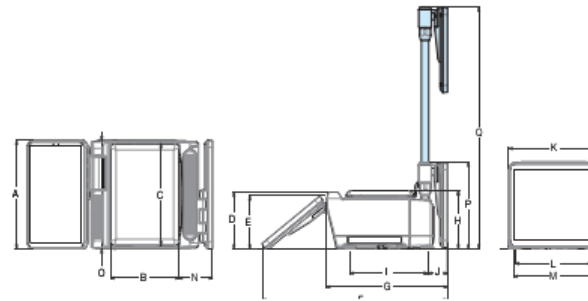


Feast your eyes on the Uni-9 Series

The Uni-9 Series delivers the gourmet experience in retail weighing technology through a large, vivid display and advanced communication all in a more compact design.

Retailers will appreciate the Uni-9's compact design that fits nicely on virtually any size counter. Occupying a very small footprint this PC-based touchscreen scale is available with a 7 or 12-inch (17.78cm or 30.48cm) LED backlit customer display for stunning promotional images and videos.

- Crystal-sharp LED display provide more marketing capabilities such as video with sound and product pairing
- Store intranet access through a browser, recipe lookup, order entry and training videos reduce the need for additional PCs in all departments
- Automatically detects correct label format settings, eliminating setup time when changing product
- When connected to cash draw and scanner, the Uni-9 becomes an efficient checkout system



DIMENSIONS SHORT POLE			POLE
A 302 mm	I 262 mm	Q 671.5 mm	
B 229 mm	J 47 mm		
C 283 mm	K 302 mm		
D 158.5 mm	L 268 mm		
E 147.5 mm	M 258 mm		
F 623 mm	N 112.5 mm		
G 407 mm	O 300 mm		
H 162 mm	P 241.5 mm		

DIMENSIONS BENCH		
A 302 mm	E 147.5 mm	I 166 mm
B 229 mm	F 516 mm	J 55 mm
C 283 mm	G 300 mm	K 300 mm
D 158.5 mm	H 162 mm	L 268 mm

DIMENSIONS ELEVATED KEYBOARD		
A 300 mm	H 162 mm	M 258 mm
B 229 mm	I 262 mm	N 150 mm
D 158.5 mm	J 47 mm	P 671.5 mm
E 147.5 mm	K 302 mm	Q Customer Display
F 408 mm	L 268 mm	

Standard Features

- NMI approved for trade use in Australia and is C-Tick / RoHS compliant
- Removable front loading label cassette for rapid roll replacement
- High resolution movie playing display to promote products or up sell / cross sell
- Helpful on-screen operator prompts
- Internet browser allows store supervisors to enter orders from the scale, recipe lookup and more
- Remote diagnostics and support
- Graphics printing on labels and receipts
- Unique top seller assigned presets
- Powerful receipt printing (POS mode) with floating operators and customer account management capability
- Multiple configurations to suit your store's needs, including:
Bench, Pole, Elevated, Hanging, Remote Scale, Self-service, Bakery

Options and Accessories

- Liner-less label printing
- Wireless communication 802.11 b/g
- SLP-5 scale management software, includes label design, data backup, remote diagnostics
- Link to barcode scanner and/or cash draw
- Link to many popular back office POS management systems

Specifications

- Capacity:** 6kg/2g, 15kg/5g (dual range)
- Display:** Operator side 12" (800 x 600) colour touch panel.
Customer side 7" (800 x 480) or 12" (800 x 600)
- Print Head:** Direct thermal 80mm
- Label Size:** Width 30 - 80mm Length 20 - 200mm
- Print Speed:** 80 / 100 / 120 / 150 mm/sec
- Barcodes:** EAN/UPC 8/12/13, ITF, GS1, QR Code, Databar/Limited/Expanded, CODE128, EAN128
- Communication:** Static TCP/IP 1G Base T Ethernet (auto-duplex). Wireless WEP/WPA/WPA2. USB 4 channels, SD 1 channel, Draw 1 channel
- Operating Environment:** 5 to 35 degrees C, 20 to 85% humidity
- Power Supply:** AC100-240v, 50/60Hz
- Power Consumption:** Stand-by 70W, In Operation 140W
- Warranty:** One-year limited warranty

