

FOR A BETTER CONVENIENCE

PW-200 Series

Version: 1.0

ISO 9001 : 2000 



- 1/3,000 high accuracy

- Weighing with 2 cells



Features:

- 1/3,000 high accuracy with 1/60,000 internal resolution
- Weighing with 2 cells (DM size:1.5V)
- 25mm large and easy reading L.C.D.
- Indoor and outdoor using (battery type)
- Auto power cut off
- Battery low indication

FOR A BETTER CONVENIENCE



(Front Side View)

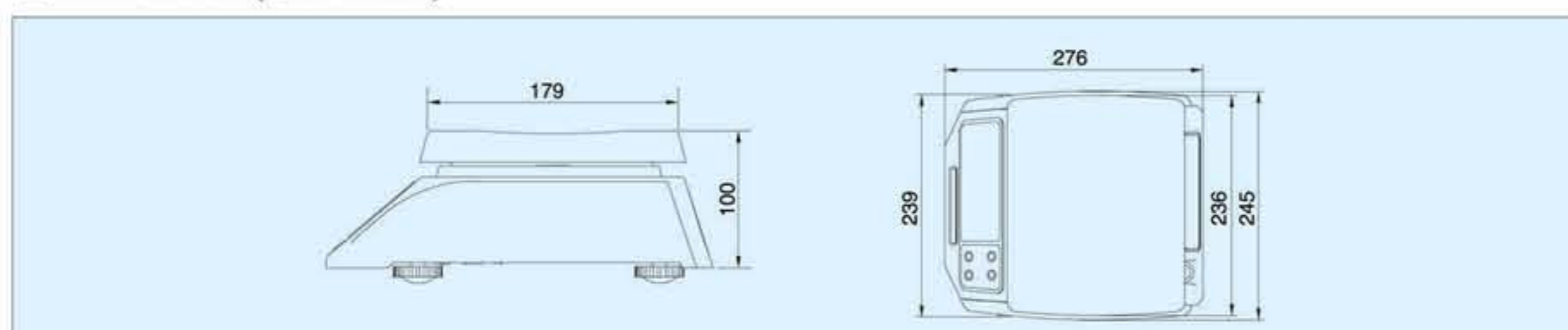


(Rear Side View : Option)

Specifications

Model	PW-200			
Maximum capacity	3,000g	6,000g	15,000g	30,000g
Minimum graduation	1g	2g	5g	10g
Maximum tare	Full Tare			
A/D conversion speed	9 cycle / sec			
Internal resolution	1/60,000			
Display	LCD 5 digits			
Power consumption	Approx. 0.09W			
Weighing pan size(mm)	(W) 234mm x (D) 180mm			
Product size(mm)	(W) 231mm x (D) 276mm x (H)109mm			
Weight (kg)	2.5kg			

Dimension(Unit: mm)



Options

1. DC adaptor
2. RS-232C interface
3. Rear Display
4. LCD Back Light Display
5. gr ↔ lb conversion

ACOM Inc.

679-1, Yogyo-Ri, Gunnae-Myun, Pocheon-Si, Kyunggi-Do, 487-872 Korea.
 Tel : +82 31 531 2205 Fax : +82 31 531 9199
 Home-Page : www.acominc.co.kr
 E-mail : acominc@hitel.net

Distributed by

